

HV69P31 & HV6FP31

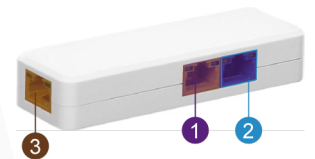
- Total 60W Power Supply
- 2 ports PoE
- 1 port Uplink

Product Features

- AI Watchdog Function
- 6KV Lightning & 8KV ESD Protection
- Support bt 60W High Power
- Compact Design, Competitive Solution

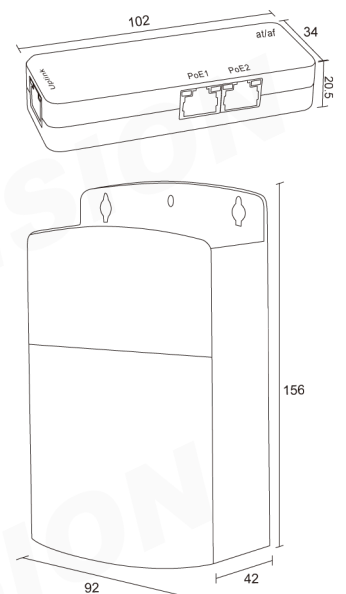
SPECIFICATION

Model	HV69P31 / HV6FP31
Ports	PoE (1):10/100Mbps PoE port (RJ45) PoE (2):10/100Mbps PoE port (RJ45),Support bt 60W High Power LAN:10/100Mbps uplink port (RJ45)
Transmission Rate	200Mbps Full Duplex; 10 or 100Mbps Half Duplex
Transmission Distance	130m(Max Cascade 5 Times)
Performance Specification	Bandwidth:0.6Gbps
	Network Latency (10 to 100Mbps): $\geq 16\mu s$ (use the 64byte package size)
	MAC address table: 2K
	The Frame Filter & Transmission Rate: 14800pps the most for 10M port, 148800pps the most for 100M port
Networking Standard	IEEE 802.3i 10BASE-T
	IEEE 802.3u 100BASE-TX
	IEEE 802.3x Flow Control
	IEEE 802.3af/at/bt Power over Ethernet
Power Support	Power Input: PoE Powered by Total $\leq 60W$ AI Watchdog: Port 1~2 Power Output: PoE 1 Port:1/2(+52V),3/6(GND) $\leq 30W$ PoE 2 Port:1245(+53V),3678(GND) Compatible1/2(+52V),3/6(GND) $\leq 60W$
Protection Level	Lightning Protection:6KV ESD Protection:8KV
Physical Specifications	Size(L*W*H): 102mm*34mm*20.5mm, Weight: 0.045KG Indoor 156mm*92mm*42mm, Weight: 0.1KG Outdoor
Working Environment	Operating Temperature: -30°C~60°C
	Storage Temperature: -40°C~70°C
	Operating Humidity: 10%~90% Non-condensing
	Storage Humidity: 5%~90% Non-condensing
Certification	CE Mark
	FCC Part15,Class B
	RoHS 2.0
Warranty	Whole Device: 1 year
Package Content	User Manual



- 1 100Mbps PoE Ports
- 2 bt 60W Power Ports
- 3 100Mbps Uplink Ports

Dimension (mm)



Installation Diagram

