

HVP4813F6

- Total 300W Power Supply
- 16 ports PoE
- 2 ports Uplink
- 1 port SFP

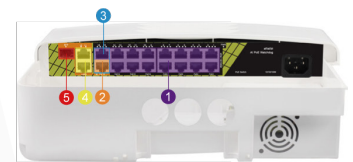
Product Features

- AI Watchdog Function
- 6KV Lightning & 8KV ESD Protection
- Support bt 60W High Power
- Auto-Adaption 250m Transmission

SPECIFICATION

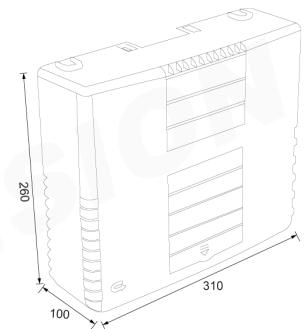
Model	HVP4813F6
Ports	PoE (1~14):10/100Mbps PoE ports (RJ45) PoE (15):10/100Mbps PoE port,Support bt 60W High Power PoE (16):10/100/1000Mbps PoE port (RJ45), Support bt 60W High Power LAN(1~2):10/100/1000Mbps uplink ports (RJ45) SFP:10/100/1000Mbps SFP port
Transmission Rate	2000Mbps Full Duplex; 10 or 100 or 1000 Mbps Half Duplex
Transmission Distance	100Mbps /10Mbps,Auto-Adaption 250m
Performance Specification	Bandwidth:12.8Gbps
	Network Latency (10 to 1000Mbps): $\leq 16\mu s$ (use the 64byte package size)
	MAC address table: 8K
	The Frame Filter & Transmission Rate: 14800pps the most for 10M port, 148800pps the most for 100M port;1488000pps the most for 1000M port
Networking Standard	IEEE 802.3i 10BASE-T/IEEE 802.3u 100BASE-TX
	IEEE 802.3ab 1000BASE-T
	IEEE 802.3x Flow Control
	IEEE 802.3af/at/bt Power over Ethernet
Power Support	Power Input: AC 90~240V Total $\leq 300W$ AI Watchdog: Port 1~16 Power Output: PoE1~14 Port:1/2(+52V),3/6(GND) $\leq 30W$ PoE15~16 Port:1245(+53V),3678(GND) Compatible1/2(+52V),3/6(GND) $\leq 60W$
Protection Level	Lightning Protection:6KV ESD Protection:8KV
Physical Specifications	Size(L*W*H): 310mm*260mm*100mm, Weight: 2.2KG
Working Environment	Operating Temperature: -30°C~60°C
	Storage Temperature: -40°C~70°C
	Operating Humidity: 10%~90% Non-condensing
	Storage Humidity: 5%~90% Non-condensing
Certification	CE Mark
	FCC Part15,Class B
	RoHS 2.0

PORTS DESCRIPTION



- 1 100Mbps PoE Ports
- 2 1000Mbps PoE Ports
- 3 bt 60W Power Ports
- 4 1000Mbps Uplink Ports
- 5 1000Mbps SFP Port

Dimension (mm)



Installation Diagram

